



Technical data

ELS® AccessManager V8

Variants:

- AccessManager V8 Compact:
Control unit and reader functionality in one housing
- AccessManager V8 HiSec:
Control unit and reader functionality in one housing plus reader unit in separate housings
- AccessManager V8 with up to 3 readers

Technology:

- 125 kHz

Power supply:

Depending on connection:

- External: 12-24 V DC \pm 10% (terminals 7/8)
- For external devices (terminals 9/10)¹
- PoE (terminals 5/6)



Voltage supply must be protected against short circuit!

Current consumption:

- Max. 250 mA (Only for reader/control unit)

Time/Date :

- Buffering: 36 hours at +20°C
- Clock drift at +25°C: \pm 10 minutes/year
- Clock drift at -20 and +65°C: - 50 minutes/year



Full buffering is available after 150 minutes operating time.

Data preservation after power failure:

- Authorizations and events: at least 10 years

Interfaces ²:

RS485 interface for connecting up to 3 external reader:

- Addressing: via Software
- Function: half duplex
- Data rate: default 11500 Baud
- Terminal 18: A (Receive)
- Terminal 19: B (Transmit)
- Terminal 20: GND
- Termination RS485: via DIP switch 2

Ethernet interface for direct online connectivity:

- Terminal 1: RD-
- Terminal 2: RD+
- Terminal 3: TD-
- Terminal 4: TD+
- Terminal 8: GND



The cable shield is not connected to the device!

RF interface for offline programming via USB RF-Stick

- Reading range: Up to 3m
- Frequency: 868 MHz
- Effective radiated power: \leq 25 mW e.r.p, LBT
- In conformity to ETSI EN 300 220

- Encryption: XSALSA20-256 Bit
- Key exchange: Curve25519-256 Bit (elliptical curve)
- Signature: Poly1305-128 Bit

¹ Attention!! It is only allowed to connect one passive reader in case of PoE.

² Attention!! Consider position of dip switches!



Technical data

ELS® AccessManager V8

Connecting cable:

- Recommended cable type: JY(St)Y 2 × 2 × 0,6
- Maximum cable length: 500 m (RS 485)



The cable shield must be connected to ground!

Dip switch:

Dip switch	Position	Explanation
1	0	RS485 deactivated
	1	RS485 active
2	0	RS485 load resistor off
	1	RS485 load resistor on
3	0	Internal bootloader after reset deactivated
	1	Internal bootloader after reset active
4	0	Status LEDs off
	1	Status LEDs on

Inductive transponder interface:

- Reading range: up to 10 cm
- Frequency: 125 kHz
- Field strength in 10m distance: < -6 dBμA/m
- In conformity to ETSI EN 300 330

Supports passive transponders:

- Hitag Transponder: Hitag 1, 2, S
- EM-Transponder: 4100, 4102, 4150, 4450

Transponder designs

- DOM Standard Tag
- DOM ClipTag
- ISO card transponder
- Other types have to be checked

Inputs control unit:

Two inputs for floating switches:

- Max. cable impedance: < 10 Ω
- Max. cable length: < 20 m

Connected to screw-clamp:

- Terminal 11/12: Input 1
- Terminal 13/14: Input 2



Except for PoE supply, the inputs are galvanically connected to the interfaces and to the power supply!

- Recommended cable type: JY(St)Y 2 × 2 × 0,6
Attention: The cable shield must be connected to ground.



Technical data

ELS® AccessManager V8

Outputs control unit:

One floating change over contact³:

- Electric strength: 30V DC 125V AC
- Current load: 1 A/DC 0,3 A/AC

Connected to screw-clamp:

- Terminal 17: Normally open contact (NO)
- Terminal 16: Common contact (C)
- Terminal 15: Normally close contact (NC)

Combination of In-/Output:

Logical and chronological combination are possible. Several configurations are available.

Signalling:

- Two LEDs: RGB for access-control signalling
- Two LEDs: bicolour for operating mode and status
- Two LEDs: bicolour for status Ethernet
- Buzzer

Temperature range:

- -20 up to +55 °C

Relative humidity:

- 20% up to 95% (Not condensation)

Protection class:

- IP54 when completely installed
(tested according to DIN EN 60529)

Assembly:

DOM Housing:

- In-wall mounting with flush boxes $\varnothing 60 \times 42$ mm
(DIN VDE 0606, DIN VDE 0471, DIN IEC 695)
- Alternatively with surface mounted frame

Siedle Module (Compact und HiSec)

- For mounting in Siedle-Systems
- HiSec: only reader unit in in Siedle module; control unit in DOM housing

- Metallic objects close to the reader or other disturbing effects may reduce the range of the RFID interface and of the RF interface.
- Minimum distance between two devices > 50cm.

Weight:

- Approx. 160 g including surface mounting frame

Size:

DOM housing

- Housing cover: 85 x 85 x 5.5 mm
- Mounting frame: 85 x 85 x 10.8 mm
- Cover + frame + terminals: 85 x 85 x 26 mm
- Frame and surface-mounted frame: 85 x 85 x 32 mm

Siedle housing

- 100 x 100 x 25 mm (Modul 6xx)

Plastics:

DOM Housing

- Mounting frame and surface-mounted frame: PA6 GF30
- Cover: PET / PC

³ In use of actuator, which is an inductive load (coil) such as a door opener, magnet, etc. make use of a freewheeling diode. The freewheeling diode is to apply antiparallel to the inductive load.



Technical data

ELS® AccessManager V8

Colour of housing:

Visible components DOM Housing alternatively:

- Cover:
signal white (9003), graphit grey (7024), jet black (9005)
- Mounting frame and surface-mounted frame: traffic grey (7042)

Visible components Siedle module:

- white
- silver metallic
- titan metallic
- graphite-brown metallic
- white-gloss-finish
- black-gloss-finish
- luminous-amber
- luminous-dark-grey

Default IP parameters:

- IP- Address: 192.168.47.11
- Subnet mask: 255.255.0.0
- Standard Gateway: 0.0.0.0

Programming:

- With Master-Card; Programming-Card
- With programming medium (PC, Netbook) via Funk or Online
- Storage of max. 5 Programming Cards

Events:

- Ring buffer for the latest 2.000 events

Storage of access authorisations in the device:

Supported transponders:

- Hitag 1, Hitag 2, Hitag S
- EM4100, EM4102, EM4150, EM4450

- Storage of maximal 3.000 authorisations in the device
- Identification of the transponders by UID

Storage of access authorisations on the transponders

Supported transponder types:

- Only available for Hitag S transponders
- AES-128 Bit data-encryption

Storage of access authorisations on the transponders:

- Storage of max. 260 area or 65 single authorisations

Temporal definition of authorisations:

- 31 free definable time zones with 3 time intervals per day
- Permanently open time zone
- Definition of holidays and vacations

Special functions:

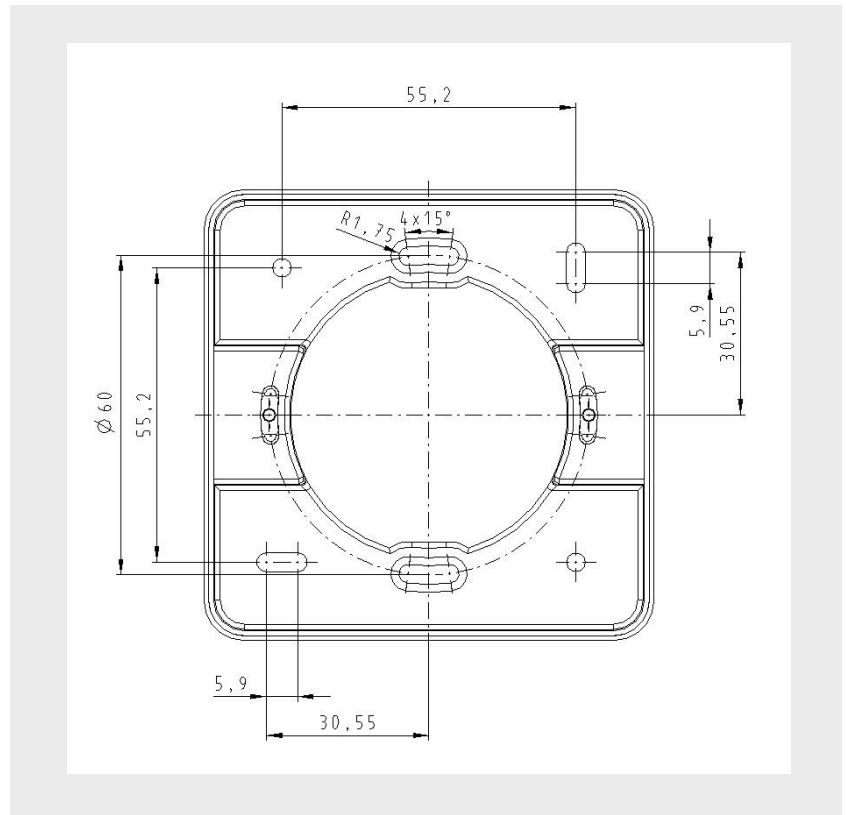
- Four-eyes principle
- Office-function



Technical data

ELS® AccessManager V8

Bolding points surface mounting frame:



These data correspond to the actual development status and are subject to change at any time without notice.

All specifications valid at assembly according to installation instructions.